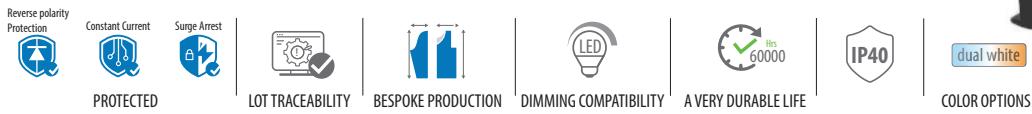


MPB RC

FEATURES

- Constant current circuit for steady lumen output along the strip.
- Slim and low profiles for elaborate space.
- Supreme consistency in beam spread and dust protection. with UV stabilized diffused cover. IP40.
- Maximized evenness of CCT and brightness by professional bin management.
- Wide range of CCT options (1800K ~ 7000K), Dual white
- HCRI 95 option / HCRI 97 (with R9>85) option with balanced spectrum.
- A short linear increment for precise fitting. UL IC rated (for recessed mount)
- Rimless, continuous light emission. Pixel free
- Suitable for either surface mount or recessed. • Bespoke option for CCT, CRI, Watt, Wiring and more.



ORDER CODE

ORDER CODE EXAMPLES

A - 35 H - 1C0 - 24 - 30 - 43 - (M)1298 - MRC RMF F C2 M - B - MG
A - 30H 50H - 1C0 - 24 - 30 - 21 - 2' - 1 1/8" - MRC B FF C2 M - N - DS

1	2	3	4	5	6	7	8	9	10	11	12	13	14	15	16
ACROSENTEC	CCT, COLOR	CRI	CHIP TYPE (FACTORY CODE)	INPUT VOLT	INCREMENT (mm)	MULTIPLIER	FIXTURE LENGTH	PRODUCT NAME	TYPE OF FEED ON FIXTURE	FEED POSITION	IP RATE	DIFFUSER TYPE	FIXTURE FINISH	MOUNTING	BESPOKE NOTE
A	27 30 42 33 45 35 50 37 55 40 65	(BLANK) H FH HC	*	24 DC24V	*	*	() * (M) *	GA MRC : MPB RC	S B RM RMF IM4 IMF4	F FF	C2 C2 : IP40	M M : DIFFUSED	N B R#	MG DS CL : CLIP	*

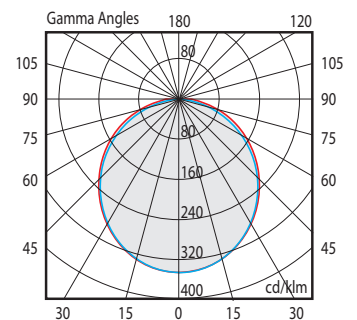
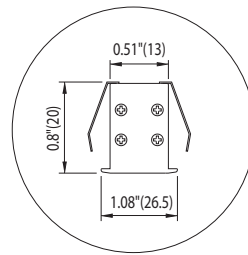
Blank : CRI 85
H : CRI 95 (typ)
FH : CRI 97 (typ)
HC : Human Centric

S : SINGLE END LEAD(LW)
B : BOTH END LEAD(LW)
RM : RM ON SINGLE END
RMF : RM, RF ON EACH END

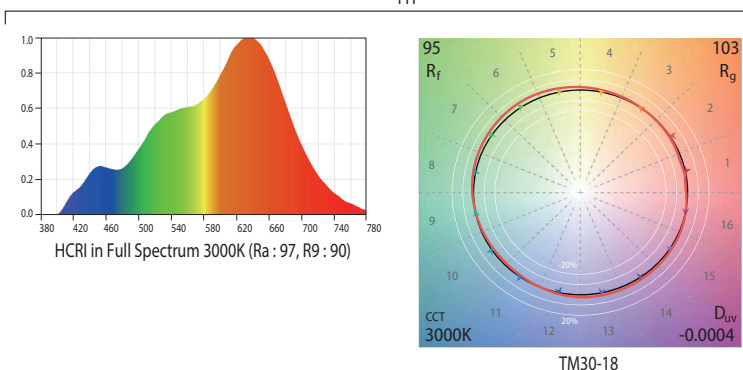
N : NORMAL ANODIZED
B : BLACK ANODIZED
R* : RAL # POWDER COATED

SPECIFICATION

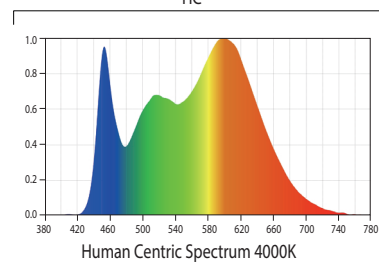
- **Input, Watt** DC24V, 15W/3' 3.4" (1Meter)
- **Dimming** 0-10, DMX, BT, WIFI
- **Beam Angle** 100°
- **Operation Temp(°F/°C)** Ta : -13~122 / -25~50
- **Expected Life Hours** 60000 Hrs
- **Mounting Accessory** Clip



FH Spectrum option



HC Spectrum option

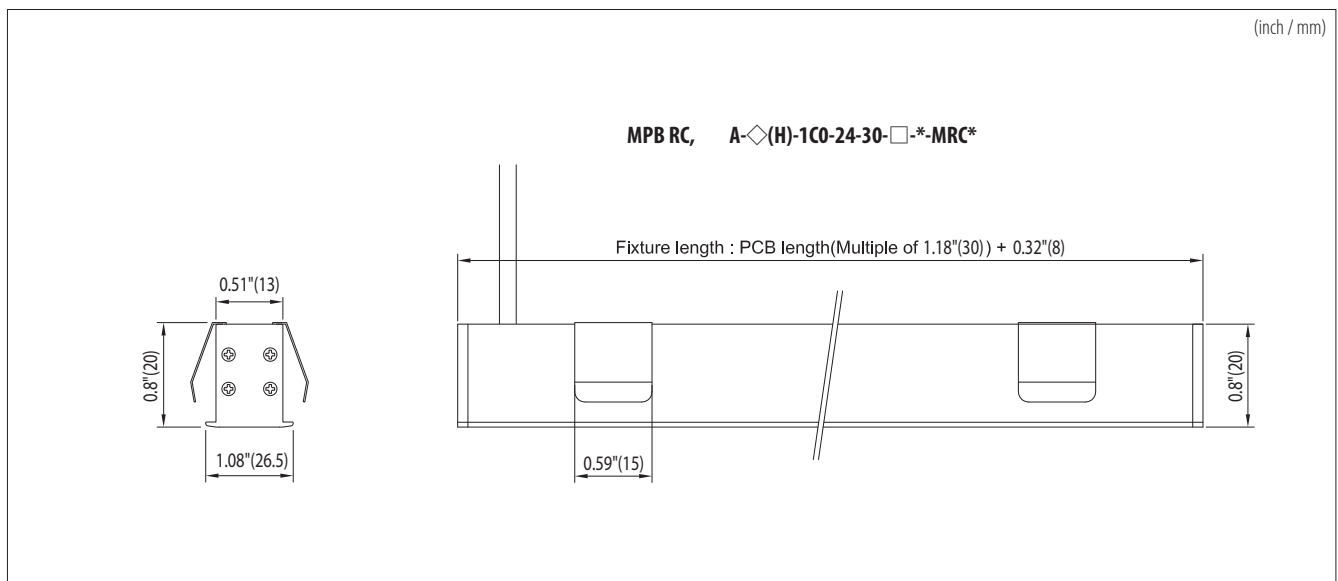


acrosentec

MPB RC		A-◇(H)-1C0-24-30-□-*-MRC*	
2 CCT (3 CRI Option)	Normal White	6500K(95, 85), 5600K(95, 85), 4000K(95, 85)	
	Warm White	3500K(95, 85), 3000K(95, 85) 2700K(95, 85)	
Lumen / Ft Meter (CRI typ 85)	6500K, 5600K	580	1907
	4000K, 3500K	560	1842
	3000K	539	1772
	2700K	532	1749
	2450K	-	-
	2200K	-	-
Lumen / Ft Meter (CRI typ 85)	2000K	-	-
	1800K	-	-
Lumen / Ft Meter (CRI typ 95)	6500K, 5600K	466	1534
	4000K, 3500K	450	1482
	3000K	433	1426
	2700K	427	1406
Lumen / Ft Meter (CRI typ 90+)	2450K	-	-
	2200K	-	-
Power Consumption (Watt) / Ft 1Meter		4.8 15.0	
5 Input Volt(DC)		24V	
Max PCB length of a single product (ft/mm) (6 PCB increment x 7 Max Multiplier)		7' 2.22" / 2190 (30mm x 73)	
Max Serial run of PCB (ft/mm) of PCB		15' 3.1" / 4650	
6 Length of PCB increment (inch/mm)		1.18" / 30	
8 Total Product Length (inch/mm)		PCB length(6 x 7) + 0.31" / 8	
Feed Accessory		10 TYPE OF FEED ON FIXTURE: RM, RMF Extension : E-RM, E-RMF	
11 Power Feed Position		FLOOR	
14 Fixture Finish		FIXTURE : ANODIZED, BLACK, COVER : DIFFUSED	
Temp(°F / °C)	Tc	149 / 65	
Net Wt / Ft (lb) 1Meter(g)		0.89 / 310	

* Data is subject to change without notice for improvement

DIMENSION



* Data is subject to change without notice for improvement