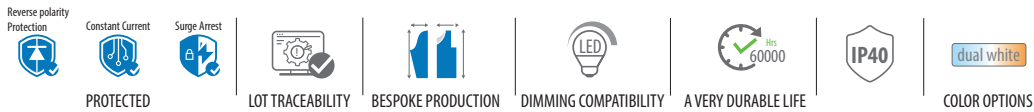


MPB RT5

FEATURES

- Constant current circuit for steady lumen output along the strip.
- Suitable for replacement of T5 tube.
- Supreme consistency in beam spread and dust protection with UV stabilized diffused cover (IP40), Pixel free
- Maximized evenness of CCT and brightness by professional bin management.
- Wide range of CCT options (2700K ~ 7000K), dual white.
- HCRI 95 option / HCRI 97 (with R9>85) option with balanced spectrum.
- Choice of a standard fixture length or a short linear increment for precise fitting.
- Bespoke option for CCT, CRI, Watt, Wiring and more.



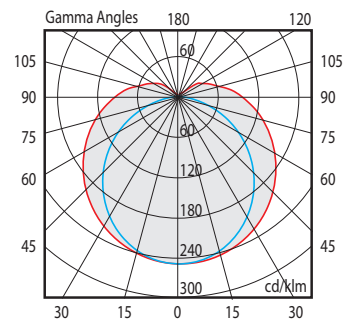
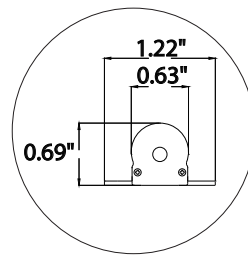
ORDER CODE

A	35	H	1C0	24	47	32	(M)1509	R5	S	E	C2	M	N	SC	
A	30H	50H	1C0	24	94	15	4' 7 45/64"	R5	B	FF	C2	L	N	SC	3050K
ACROSENTEC	CCT, COLOR	CRI	CHIP TYPE (FACTORY CODE)	INPUT VOLT	INCREMENT (mm)	MULTIPLIER	FIXTURE LENGTH	PRODUCT NAME	TYPE OF FEED ON FIXTURE	FEED POSITION	IP RATE	DIFFUSER TYPE	FIXTURE FINISH	MOUNTING	BESPOKE NOTE
1	2	3	4	5	6	7	8	9	10	11	12	13	14	15	16
A	18 30 42 20 33 45 22 35 50 24 37 55 27 40 65	(BLANK) H FH HC	*	24	*	*	() (M)*	R5	S B	E EE F FF	C2	C L M	N	SC	*
Blank: CRI 85 H: CRI 95 (typ) FH: CRI 97 (typ) HC: Human Centric			DC24V			See the table		Blank: US unit (M)*: Metric unit		R5: MPB RT5		S: SINGLE END LEAD(LW) B: BOTH END LEAD(LW)		See the DRAWING A.	
C: CLEAR L: LIGHT FROSTED M: DIFFUSED			N: NORMAL ANODIZED			SC: SCREW									

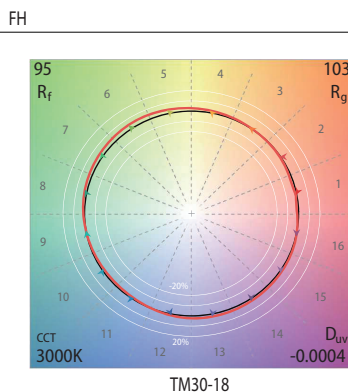
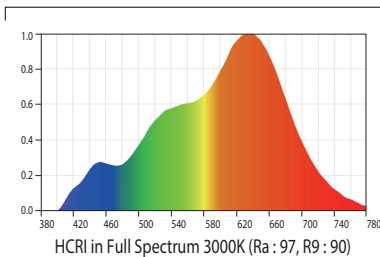
ORDER CODE EXAMPLES

SPECIFICATION

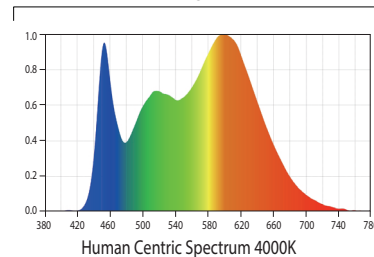
- **Input, Watt** DC24V , 20.5-27.0W/3'3.4" (1Meter)
- **Dimming** 0-10, DMX, BT, WIFI
- **Beam Angle** 150°
- **Operation Temp(°F/°C)** Ta : -13~122 / -25~50
- **Expected Life Hours** 60000 Hrs
- **Mounting Accessory** Screw



• FH Spectrum option



• HC Spectrum option

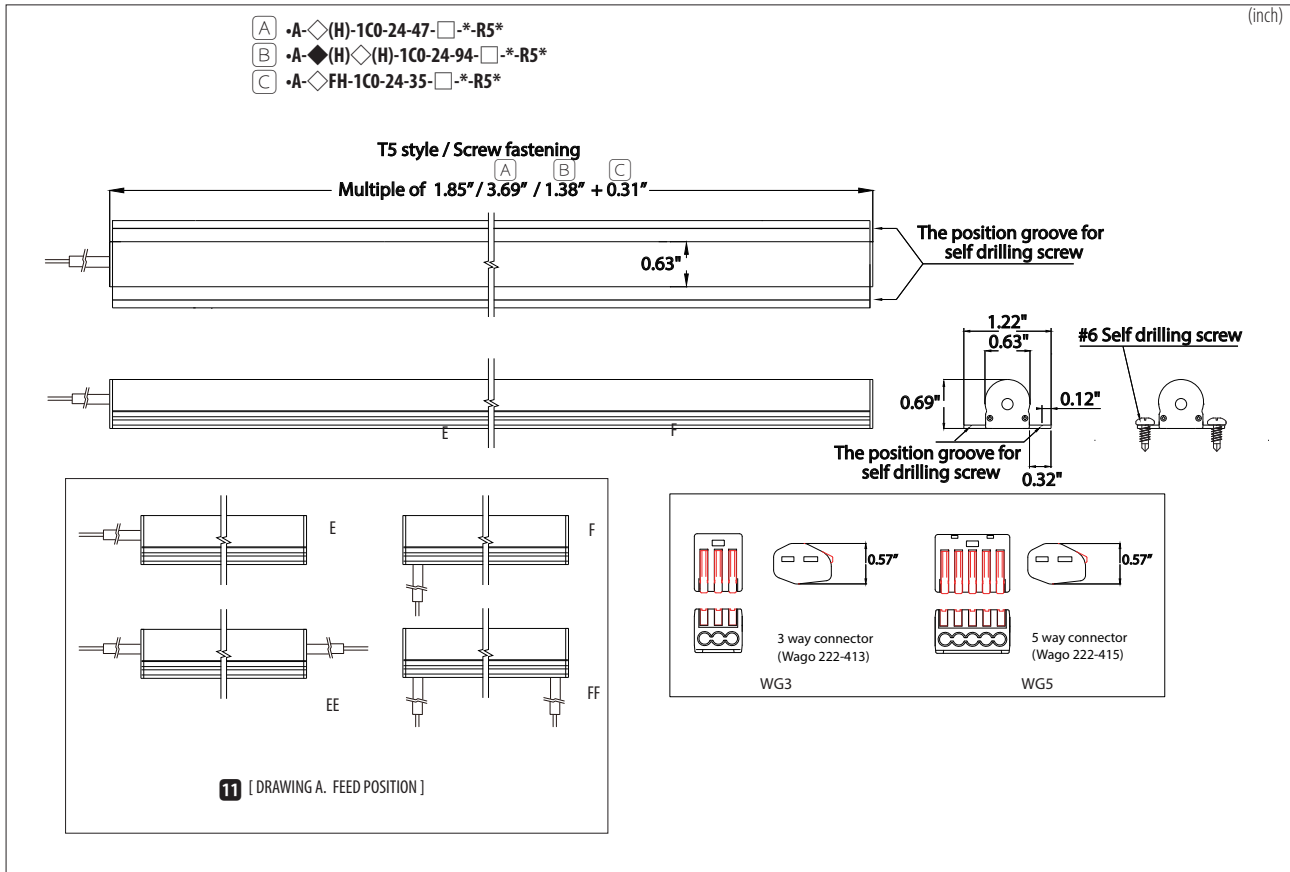


acrosentec

MPB RT5		A-◇(H)-1C0-24-47-□-*.R5*		A-◇(H)◇(H)-1C0-24-94-□-*.R5*		A-◇FH-1C0-24-35-□-*.R5*	
DRAWING ID (See the dimension)		A		B		C	
2 CCT (3 CRI Option)	Normal White	6500K(95, 85), 5600K(95, 85), 4000K(95, 85)				6500K(97), 5600K(97), 4000K(97)	
	Warm White	3500K(95, 85), 3000K(95, 85), 2700K(95, 85)		2700K(95, 85)		3500K(97), 3000K(97), 2700K(97)	
Lumen / Ft Meter (CRI typ 85)	6500K, 5600K	1264	4145	355 / CCT	1166 / CCT	-	-
	4000K, 3500K	1218	3994	343 / CCT	1126 / CCT	-	-
	3000K	1175	3853	-	-	-	-
	2700K	1159	3803	326 / CCT	1069 / CCT	-	-
Lumen / Ft Meter (CRI typ 95)	6500K, 5600K	1016	3334	286 / CCT	937 / CCT	556	1823
	4000K, 3500K	982	3221	276 / CCT	906 / CCT	524	1718
	3000K	945	3100	-	-	512	1678
	2700K	928	3044	262 / CCT	859 / CCT	480	1576
Power Consumption (Watt) 3' 3.4", 1Meter		8	27	6.3	20.5	6.25	20.5
5 Input Volt(DC)		24V					
Max PCB length of a single product (ft/mm) 6 PCB increment x 7 Max Multiplier		6' 7.4" / 2017 (46.9mm x 43)		6' 9.2" / 2063 (93.8mm x 22)		6' 7.9" / 2030 (35mm x 58)	
6 Length of PCB increment (inch/mm)		1.85" / 46.9		3.69" / 93.8		1.38" / 35	
8 Total Product Length (inch/mm)		PCB length(6 x 7) + 0.31" / 8					
Feed Accessory		10 TYPE OF FEED ON FIXTURE : S (Single Lead Wire), WG3, WGS					
11 Power Feed Position		END / FLOOR					
14 Fixture Finish		FIXTURE : ANODIZED COVER : CLEAR, LIGHT FROSTED, DIFFUSED					
Temp(°F / °C) Tc		149 / 65					
Net Wt / Ft (lb) 1Meter(g)		0.62 / 280					

* Data is subject to change without notice for improvement. Lumen value is measured with clear cover

DIMENSION



* Data is subject to change without notice for improvement