

NPB C5 MICRO

FEATURES

- Constant current circuit for steady lumen output along the strip.
- Very slim and low profiles for elaborate space.
- Supreme consistency in beam spread and dust protection with UV stabilized opaque or clear cover.
- IP66
- Maximized evenness of CCT and brightness by professional bin management.
- Wide range of CCT options (2000K ~ 7000K), color (RGB).
- A short linear increment for precise fitting.
- Bespoke option for CCT, CRI, Watt and more.



ORDER CODE

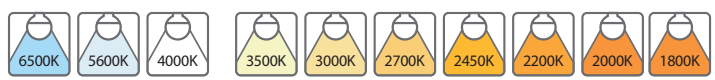
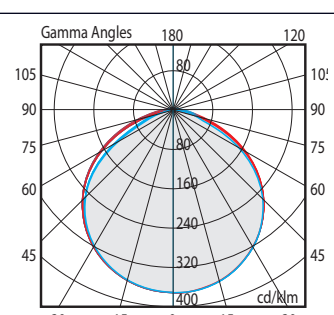
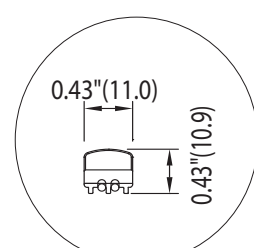
A	35	1CD	24	60	21	(M)1265	S	WF	E	C5	C	S	3W/ft	
A	RGB	3C2	24	100	12	3' 11 7/16"	S	B	EE	C5	M	DS		
ACROSENTEC	CCT, COLOR	CRI	CHIP TYPE (FACTORY CODE)	INPUT VOLT	INCREMENT (mm)	MULTIPLIER	FIXTURE LENGTH	PRODUCT NAME	TYPE OF FEED ON FIXTURE	FEED POSITION	IP RATE	DIFFUSER TYPE	MOUNTING	BESPOKE NOTE
1	2	3	4	5	6	7	8	9	10	11	12	13	14	15
A	20 30 42 RGB 22 33 45 24 35 50 27 37 55 40 65	(BLANK)	*	24 DC24V	*	*	()* (M)*	S S: NPB C5 MICRO	S B WM WMF WM4 WMF4	E EE	C5 C5: IP66	M C: CLEAR M: DIFFUSED	S DS S: S CLIP DS: TAPE	*
Blank: CRI 85				See the table		BLANK: US unit (M)*: Metric unit		See the DRAWING A.						

ORDER CODE EXAMPLES

S: SINGLE END LEAD(LW)
B: BOTH END LEAD(LWS)
WM: WM ON SINGLE END
WMF: WM, WF ON EACH END
WM4: WM4 ON SINGLE END
WMF4: WM4, WF4 ON EACH END

SPECIFICATION

- **Input, Watt** DC24V, 7.5-16.7W/3' 3.4" (1Meter)
- **Dimming** 0-10, 0-10, DMX, BT, WIFI
- **Beam Angle** 110°
- **Operation Temp(°F/°C)** Ta: -13~122 / -25~50
- **Expected Life Hours** 60000 Hrs
- **Mounting Accessory** CLIP(S, SJ), TAPE(DS)
- **Color Temperature**



CRI typ 85

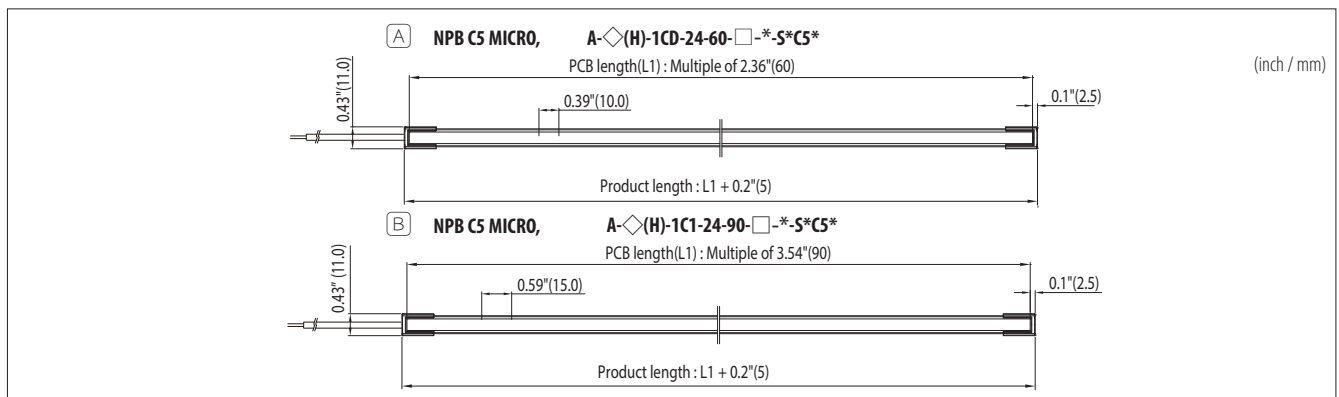
NPB C5 MICRO		A-◇-1CD-24-60-□-*.S*C5*		A-◇-1C1-24-90-□-*.S*C5*		A-◇-1C2-24-112-□-*.S*C5*		A-◇-1C3-24-150-□-*.S*C5*		A-◇-1C4-24-240-□-*.S*C5*	
DRAWING ID (See the dimension)		A		B		C		D		E	
2 CCT (3 CRI Option)	Normal White	6500K (85), 5600K (85), 4000K (85)									
	Warm White	3500K (85), 3000K (85), 2700K (85), 2450 (85), 2200K (85), 2000K (85)									
Lumen / Ft Meter (CRI typ 85)	6500K, 5600K	538	1766	511	1677	463	1520	368	1207	255	838
	4000K, 3500K	520	1706	494	1620	448	1469	355	1166	247	810
	3000K	501	1642	475	1558	431	1413	342	1122	238	779
	2700K	494	1619	469	1537	425	1394	338	1107	234	769
	2450K	421	1382	400	1312	363	1190	288	945	200	656
	2200K	406	1331	385	1264	349	1146	277	910	193	632
	2000K	373	1225	355	1163	321	1054	255	837	177	581
Power Consumption (Watt) / Ft Meter		4.8	15.8	4.6	15.0	4.1	13.6	3.3	10.8	2.3	7.5
5 Input Volt(DC)		24V									
Max PCB length of a single product (ft/mm) 6 PCB increment x 7 Max Multiplier		5' 10.9" / 1800 (60mm x 30)		5' 10.9" / 1800 (90mm x 20)		6' 3.3" / 1913 (112.5mm x 17)		6' 4.8" / 1950 (150mm x 13)		6' 3.6" / 1920 (240mm x 8)	
Max Serial length of PCB (ft/mm) of PCB		11' 9.7" / 3600		12' 1.2" / 3690		12' 6.6" / 3825		16' 2.9" / 4950		19' 8.3" / 6000	
6 Length of PCB increment (inch/mm)		2.36" / 60mm 1.57" / 40mm		3.54" / 90mm 1.77" / 45mm		2.36" / 112.5mm 1.57" / 56.3mm		5.91" / 150mm 2.95" / 75mm		9.45" / 240mm 4.72" / 120mm	
8 Total Product Length		PCB length (6x7) + 0.2" / 5mm									
Feed Accessory		10 TYPE OF FEED ON FIXTURE : WM,LW Extension(E-WF, E-WMF)									
11 Power Feed Position		END									
13 Fixture Finish		COVER : CLEAR, DIFFUSED									
Net Wt(g/lb) / 1Meter, 3.28Ft		140 / 0.31									

*Lumen value is based on clear cover. Data is subject to change without notice for improvement

NPB C5 MICRO Color		A-RGB-3C2-24-100-□-*.S*C5*				A-RGB-3C2-24-67-□-*.S*C5*			
DRAWING ID (See the dimension)		F				G			
2 WD	RGB	R : 625nm, G : 525nm, B : 460nm							
Lumen / Ft Meter		114		373		114		373	
Power Consumption (Watt) / Ft Meter		3.4		11.1		5.1		16.7	
5 Input Volt(DC)		24V							
Max PCB length of a single product (ft/mm) 6 PCB increment x 7 Max Multiplier		6' 2.7" / 2000 (100mm x 20)				6' 6.7" / 2000 (66.7mm x 30)			
Max Serial run of PCB (ft/mm) of PCB		13' 1.4" / 4000				11' 7.1" / 3535			
6 Length of PCB increment (inch/mm)		3.94" / 100mm				2.63" / 66.7mm			
8 Total Product Length		PCB length (6x7) + 0.2" / 5mm							
Feed Accessory		10 TYPE OF FEED ON FIXTURE : WM4,LW Extension(E-WF4, E-WMF4)							
11 Power Feed Position		END							
13 Fixture Finish		COVER : CLEAR, DIFFUSED							
Net Wt(g/lb) / 1Meter, 3.28Ft		160 / 0.35							

*Lumen value is based on clear cover. Data is subject to change without notice for improvement

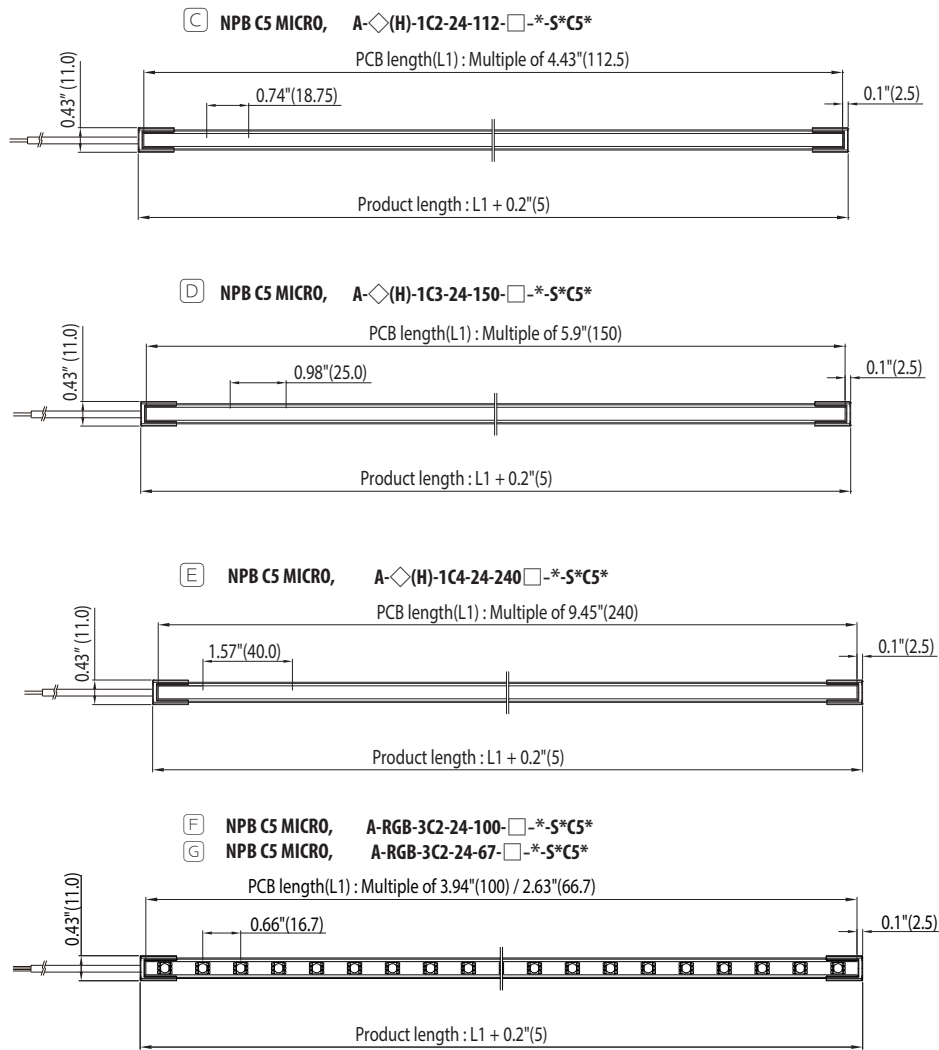
DIMENSION



* Data is subject to change without notice for improvement

DIMENSION

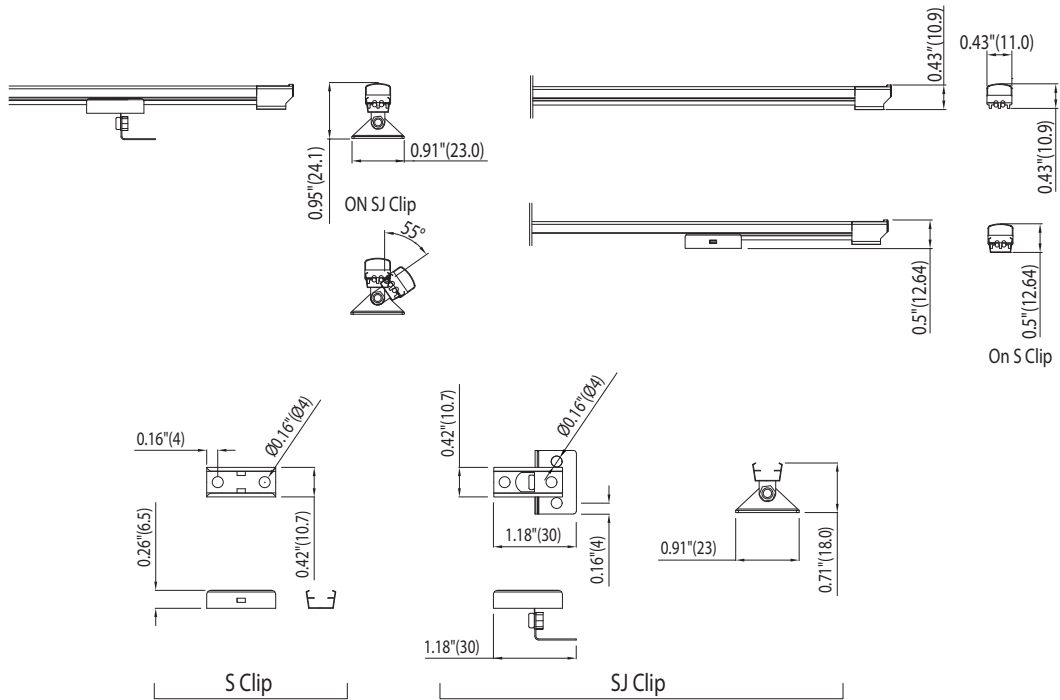
(inch / mm)



* Data is subject to change without notice for improvement

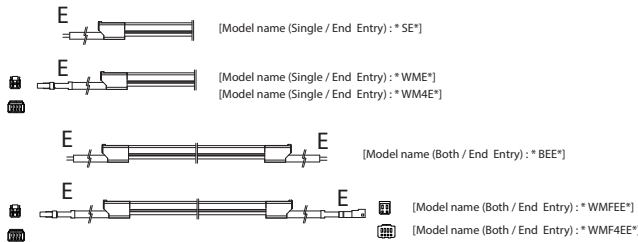
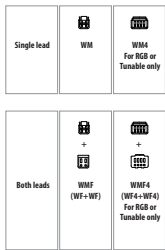
DIMENSION

(inch / mm)

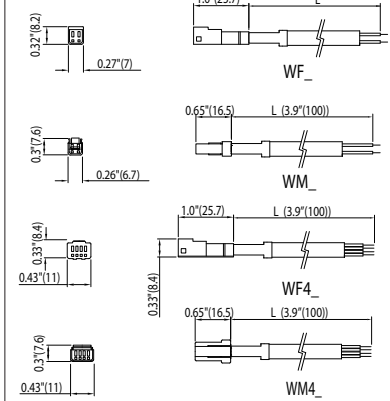


DRAWING A

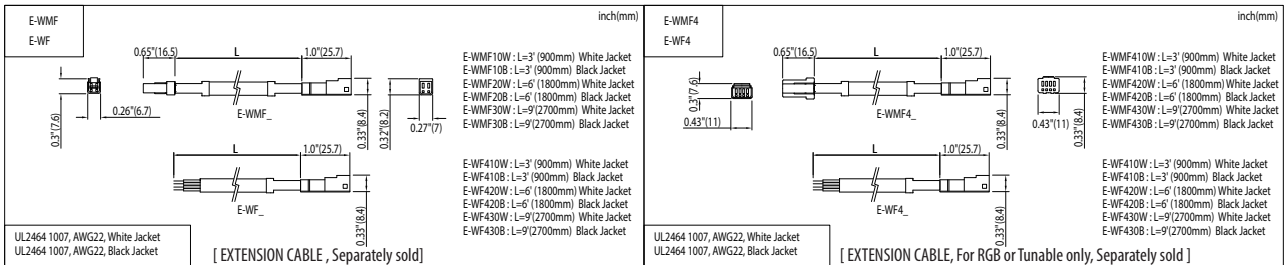
⑩ Type of Feed on the fixture / ⑪ Feed position



Connectors on fixture



⑩ Type of Feed on the fixture



* Data is subject to change without notice for improvement