

QPB DP



FEATURES

- Constant current circuit for steady lumen output along the strip.
- Low profile pendants for elaborate space.
- Splendid consistency in beam spread and dust protection with UV stabilized opaque cover.
- IP Rate IP40
- Maximized evenness of CCT and brightness by professional bin management.
- Wide range of CCT options(2700K ~ 7000K), Dual white
- HCRI 95 option / HCRI 97 (with R9>85) option in wider spectrum
- A short increment for precise fitting
- Louver options for glare cut.
- Bespoke option for CCT, CRI, Watt



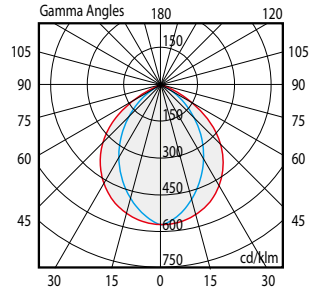
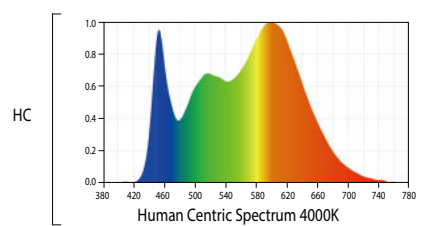
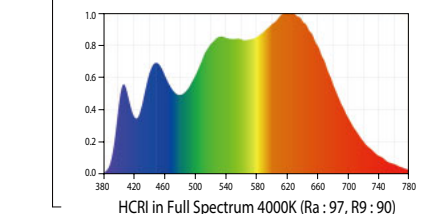
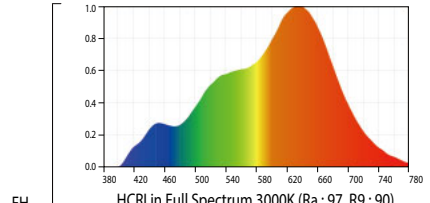
PRODUCT DESCRIPTION CODES / SPECIFICATIONS

A- 27H-1C0D-24- 46-4- QPSC2M(-LVV)



- 1 NAME** ACROSENTEC
- 2 CCT**
- | | | |
|----------------|----------------|--------------------|
| Normal White | Warm White | Beam Angle |
|
CRI typ 95 |
CRI typ 95 |
100°x70°, 110° |
| Normal White | Warm White | Beam Angle |
|
CRI typ 85 |
CRI typ 85 |
100°x70°, 110° |
- 3 Level of CRI** H : CRI typ 95, Blank : CRI typ 85
- 4 LED pitch(inch/mm)** Refer to the Dimension
- 5 Input VOLT(DC)** 24 V
- 6 Length of add-on(inch/mm)** Refer to the table
- 7 Quantity of add-on** Variable
- 8 Product model** QP : QPB DP
- 9 Feed receptacle** S : Single end LW
- 10 IP Rate** C2 : IP40
- 11 Diffuser type** M : Opaque
- 12 Optical accessory** LVH: Horizontal Louver only, LVV : Vertical Louver + Horizontal Louver
- Dimming** PWM, DALI, 0-10
- Beam Angle** 100° x 60°
- Operation Temp(°F/°C)** Ta : -13~122 / -25~50
- Expected Life Hours** 60000 Hrs
- Installation Accessory** Metal cable kit

- Bespoke option in FH, HC spectrum -

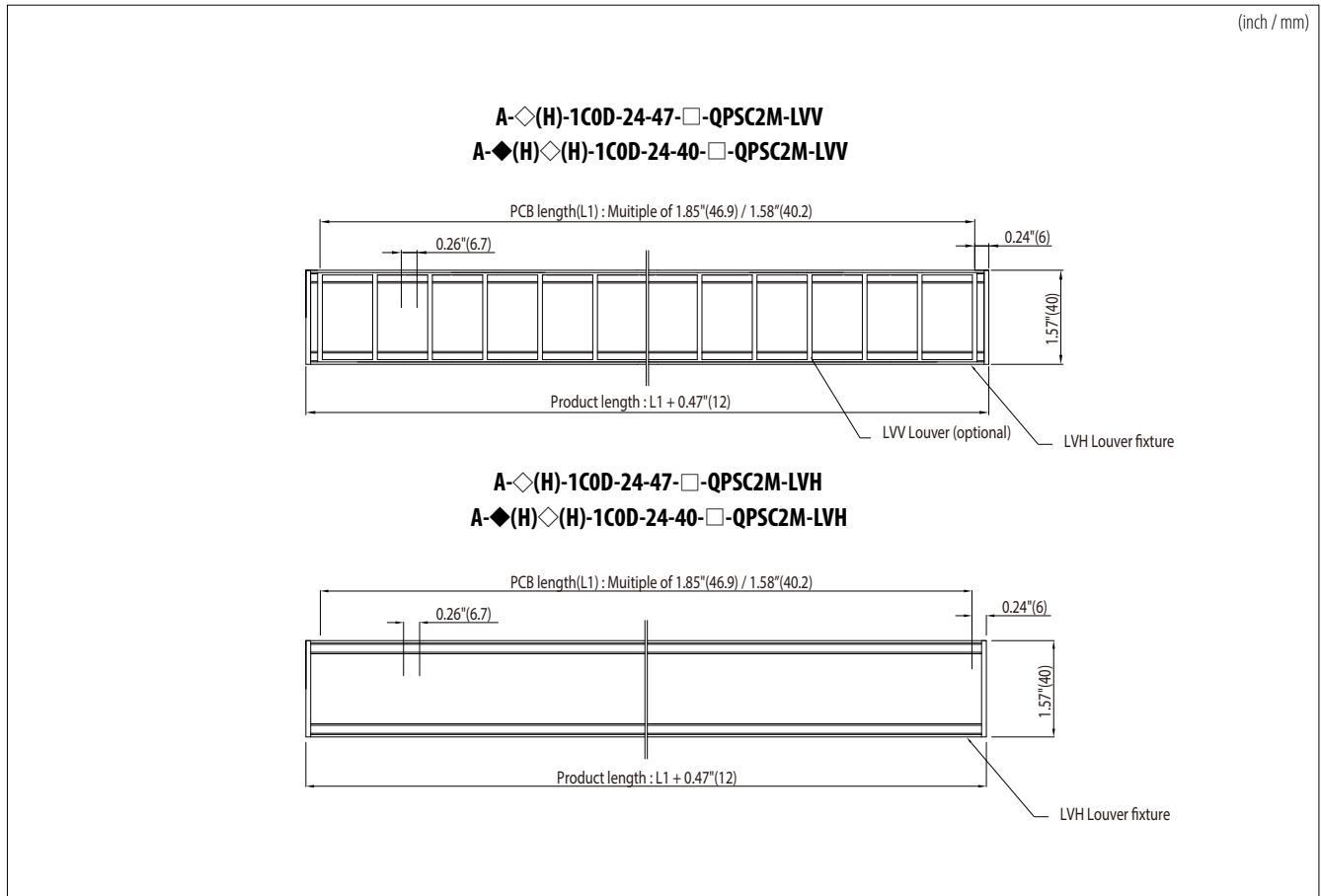


acrosentec

QPB DP		A-◇(H)-1C0D-24-47-□ -QPSC2M-LVV	A-◆(H)◇(H)-1C0D-24-40-□ -QPSC2M-LVV	A-◇(H)-1C0D-24-47-□ -QPSC2M	A-◆(H)◇(H)-1C0D-24-40-□ -QPSC2M
CCT (CRI Option)	Normal White	6500K(95, 85), 5600K(95, 85), 4000K(95, 85)			
	Warm White	3500K(95, 85), 3000K(95, 85), 2700K(95, 85)	3000K(95, 85), 2700K(95, 85)	3500K(95, 85), 3000K(95, 85), 2700K(95, 85)	3000K(95, 85), 2700K(95, 85)
Lumen / 3' 3.4", 1MTR (Normal CRI typ 85)	6500K, 5600K	1565	670 / CCT	3985	1707 / CCT
	4000K, 3500K	1512	648 / CCT	3848	1649 / CCT
	3000K	1455	623 / CCT	3703	1586 / CCT
	2700K	1435	615 / CCT	3653	1565 / CCT
Lumen / 3' 3.4", 1MTR (High CRI typ 95)	6500K, 5600K	1258	539 / CCT	3204	1373 / CCT
	4000K, 3500K	1216	521 / CCT	3096	1326 / CCT
	3000K	1169	501 / CCT	2978	1276 / CCT
	2700K	1154	494 / CCT	2938	1259 / CCT
Power Consumption (Watt) 3' 3.4", 1Meter		36			
Power Feed direction		Rear			
Temp(°F / °C)	Tc	149 / 65			
Color of Fixture		Fixture : Silver, Matt black, Diffuser : Opaque			
Net Wt (lb/g) / 3' 3.4", 1Meter		1.32 / 620		1.28 / 580	
Feed Accessory		LW			
Max PCB length of a single product (ft/mm)		4' 11.1" / 1501.5	5' 0.14" / 1528	4' 11.1" / 1501.5	5' 0.14" / 1528
Max Serial length of PCB (ft/mm)		8' 9.25" / 2674	8' 10.0" / 2693.4	8' 9.25" / 2674	8' 10.0" / 2693.4
Add on PCB Length Option (inch/mm)		1.85" / 46.9	1.58" / 40.2	1.85" / 46.9	1.58" / 40.2
Total Product Length (inch/mm)		PCB length + 0.47" / 12			

* Data is subject to change without notice for improvement

DIMENSION

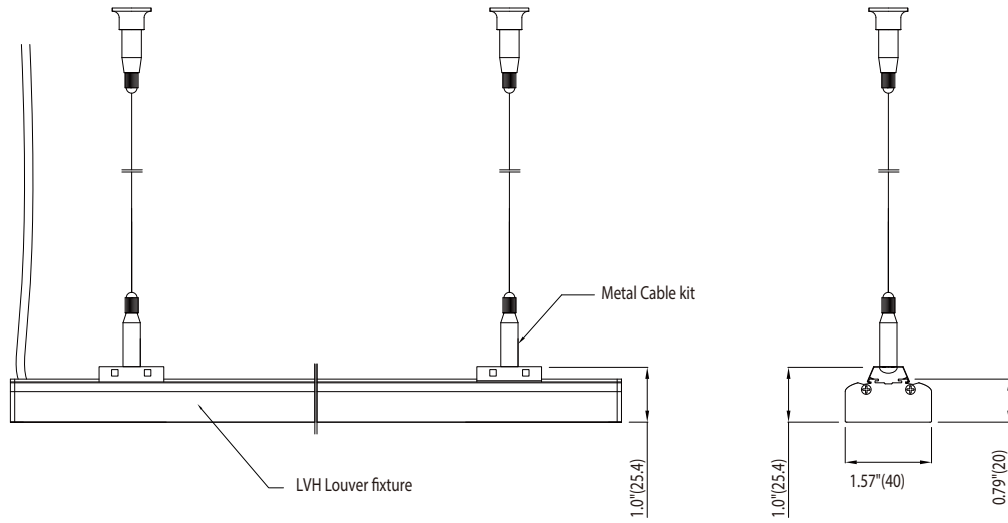


* Data is subject to change without notice for improvement

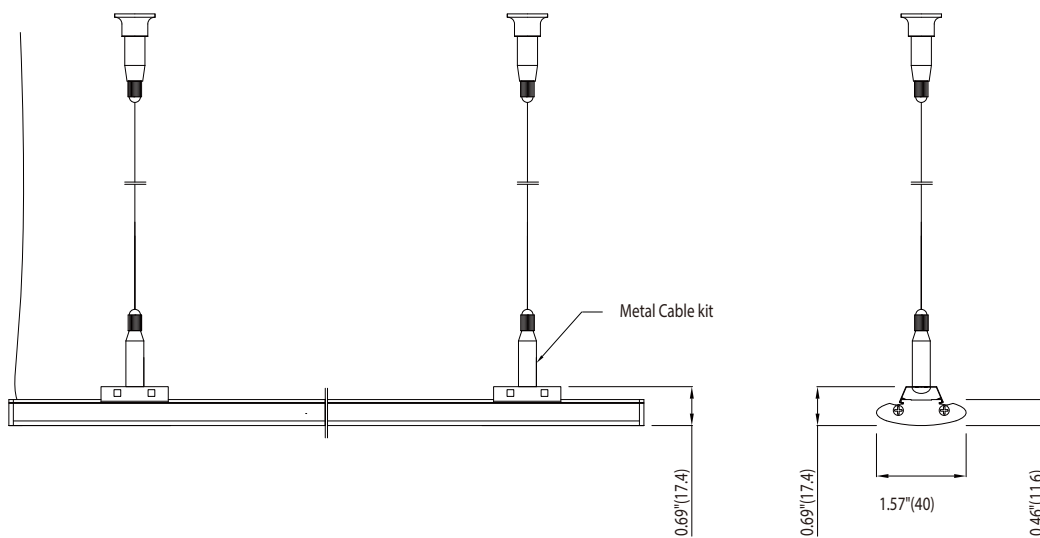
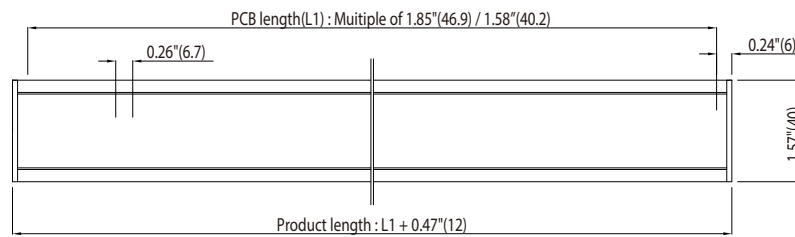
DIMENSION

(inch / mm)

A-◇(H)-1COD-24-47-□-QPSC2M-LV*
A-◆(H)◇(H)-1COD-24-40-□-QPSC2M-LV*



A-◇(H)-1COD-24-47-□-QPSC2M
A-◆(H)◇(H)-1COD-24-40-□-QPSC2M



* Data is subject to change without notice for improvement