

# QPB G



## FEATURES

- Constant current circuit for steady lumen output along the strip.
- Suitable for wall wash for indoor and semi outdoor
- Unique optical performance with high evenness of light spread of 20°, 34°, 24x48° Unique swiveling bracket
- Dust and water protection with UV stabilized clear cover
- IP Rate IP40, IP65
- Maximized evenness of CCT and brightness by professional bin management.
- Wide range of CCT options (2700K ~ 7000K), Dual white, Color (RGB, RGBW)
- A short increment for precise fitting
- Shade wing option for glare cut
- Bespoke option for CCT, CRI, Watt



## PRODUCT DESCRIPTION CODES / SPECIFICATIONS

### A- RGBW-4HC5-24-270-O- QG2448SC2

① ② ③ ④ ⑤ ⑥ ⑦ ⑧ ⑨ ⑩

- ① **NAME** ..... ACROSENTEC
- ② **CCT**
- |         |                           |            |
|---------|---------------------------|------------|
|         | Normal White & Warm White | Beam Angle |
|         |                           |            |
| CRI 70+ | CRI 80+                   |            |
|         | Normal White              | Beam Angle |
|         |                           |            |
|         | CRI 70+                   |            |
- ③ **LED pitch (inch/mm)** ..... Refer to the Dimension
- ④ **Input VOLT(DC)** ..... 24 V
- ⑤ **Length of add-on (inch/mm)** ..... Refer to the table
- ⑥ **Quantity of add-on** ..... Variable
- ⑦ **Product model** ..... QPB G
- ⑧ **Beam Angle** ..... Refer to the table
- ⑨ **Feed receptacle** ..... S : Single end LW, B : Both ends LW,  
QF4, QMF4, OF4, OMF4, QF6, QMF6, OF6, OMF6
- ⑩ **IP Rate** ..... C2 : IP40, C4 : IP65
- Dimming** ..... PWM, DALI, 0-10, DMX
- Operation Temp(°F/°C)** ..... Ta : -13~122 / -25~50
- Expected Life Hours** ..... 60000 Hrs
- Mounting Accessory** ..... Bracket (QJ)



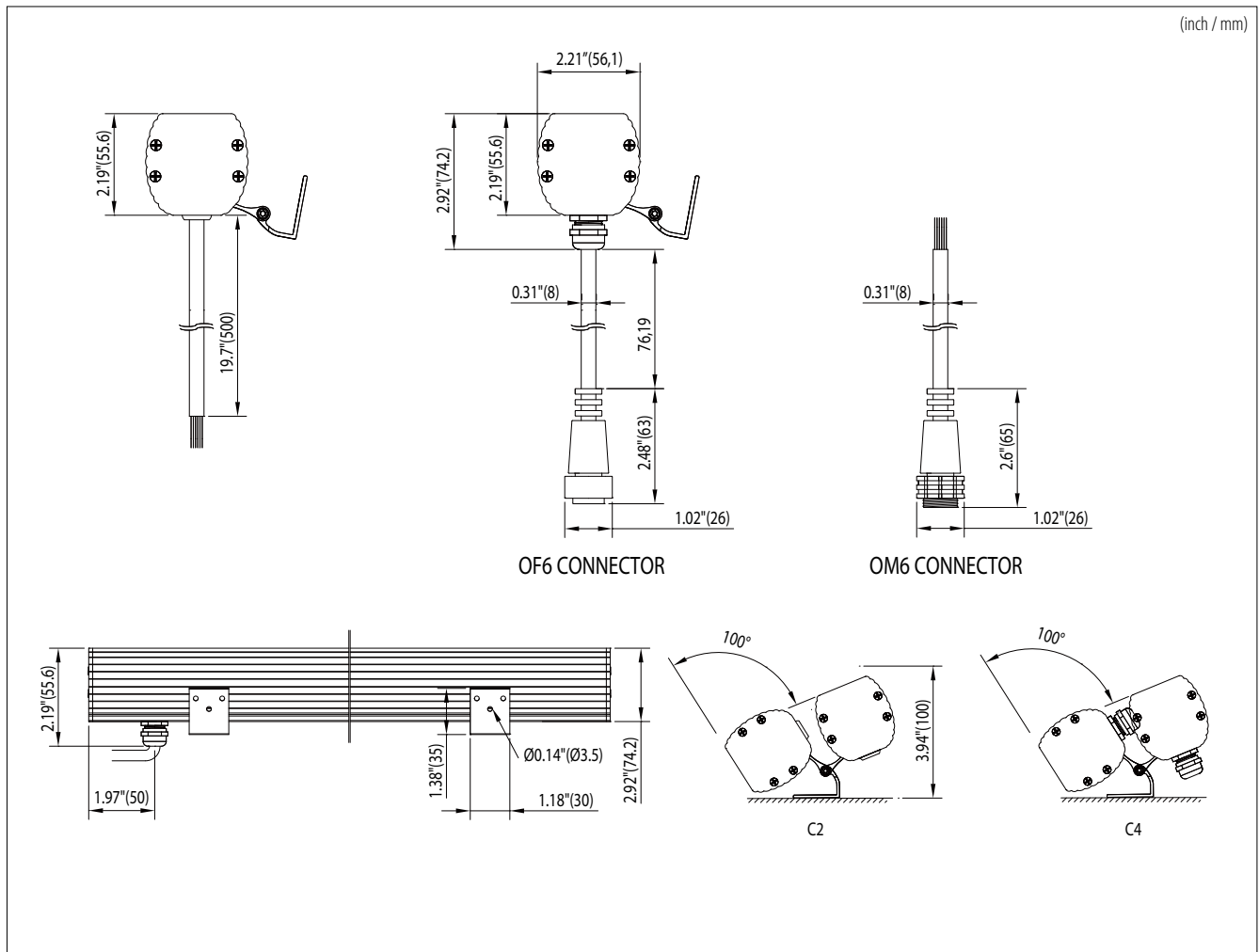
acrosentec

QPB G		A-2765-4HC5-24-270-□-QG☆SC2
CCT (CRI Option)	Normal White	6500K (70+)
	Warm White	2700K (80+)
Lumen / 3' 3.4", 1MTR	6500K	2180 / CCT
	2700K	1520 / CCT
Power Consumption (Watt) 3' 3.4", 1Meter		80
⑧ Beam Angle		60°
Power Feed direction		REAR
Temp(°F / °C)	Tc	149 / 65
Color of Fixture		Fixture : Silver, Matt black, Diffuser : Clear
Net Wt (lb/g) / 3' 3.4", 1Meter		5.29 / 2.4
Feed Accessory		QM4, OM4 / LW
Max PCB length of a single product (ft/mm)		3' 6.5" / 1080
Max Serial run of PCB (ft/mm) of PCB		3' 6.5" / 1080
⑤ Add on PCB Length Option (inch/mm)		10.63" / 270
Total Product Length (inch/mm)		Multiple of 10.63" / 270

QPB G COLOR		A-RGBW-4HC5-24-270-□-QG☆SC2	A-RGBW-4HC7-24-420-□-QG☆SC2
CCT (CRI Option)	W	6500K(70+), 5700K(70+), 4000K(70+)	
WD	R	620nm	
	G	525nm	
	B	460nm	
Lumen / 3' 3.4", 1MTR(W)		6500K(1100), 4000K(900), 3000K(800)	
Lumen / 3' 3.4", 1MTR (RGB)		2040	1938
⑧ Beam Angle		20°, 34°, 24x48°	
Power Consumption (Watt) / 3' 3.4", 1Meter	RGB	60	57
	W	20	20
Power Feed direction		REAR	
Temp(°F / °C)	Tc	149 / 65	
Color of Fixture		Fixture : Silver, Matt black, Diffuser : Clear	
Net Wt (lb/g) / 3' 3.4", 1Meter		5.29 / 2.4	
Feed Accessory		QM6, OM6 / LW	
Max PCB length of a single product (ft/mm)		3' 6.5" / 1080	4' 1.6" / 1260
Max Serial run of PCB (ft/mm) of PCB		3' 6.5" / 1080	4' 1.6" / 1260
⑤ Add on PCB Length Option (inch/mm)		10.63" / 270	16.53" / 420
Total Product Length (inch/mm)		Multiple of 10.63" / 270	Multiple of 10.53" / 270

\* Data is subject to change without notice for improvement

## DIMENSION

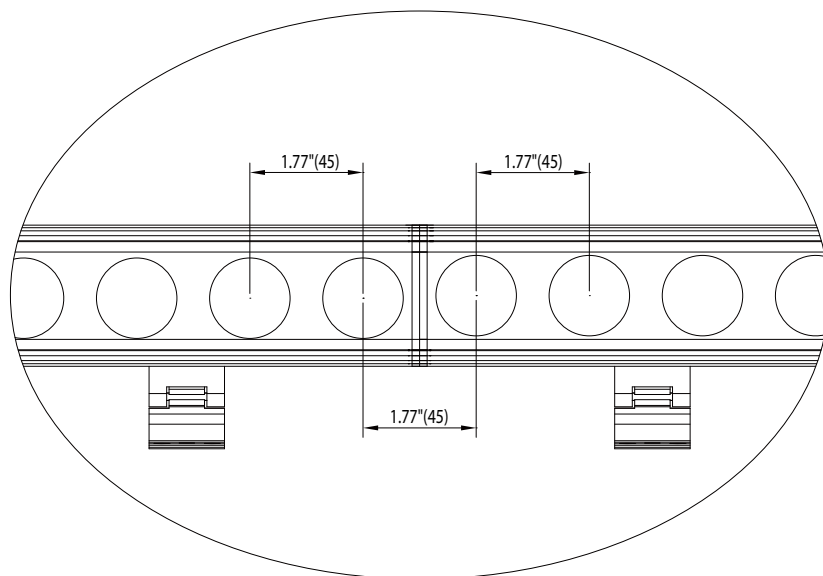
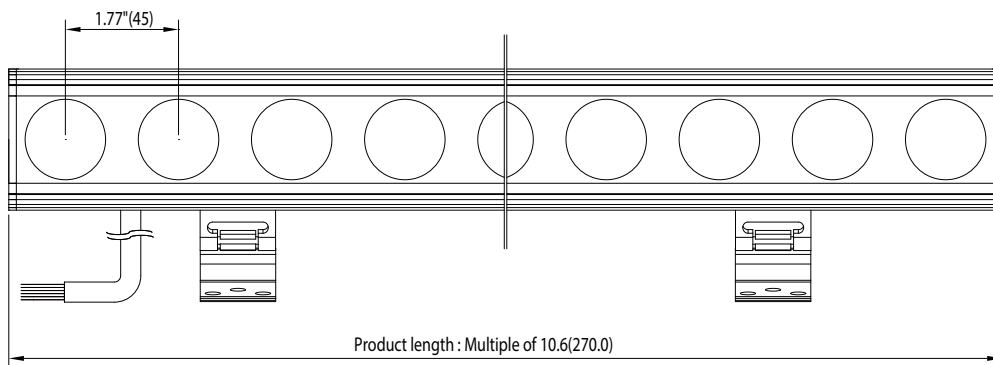
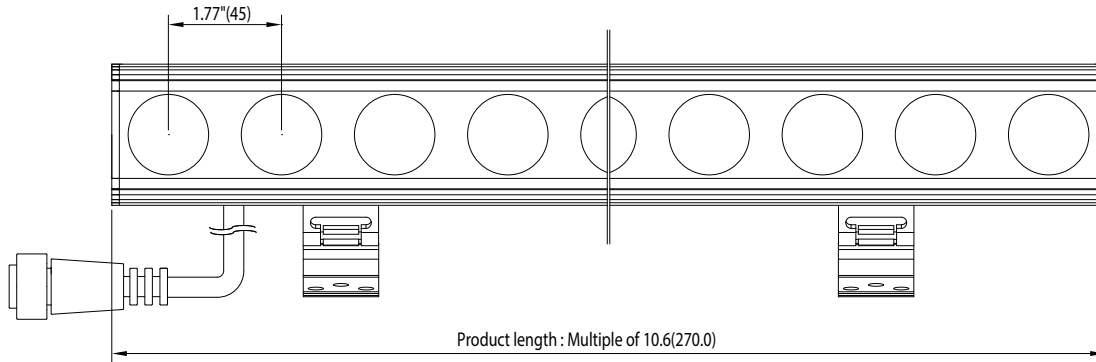


\* Data is subject to change without notice for improvement

# DIMENSION

(inch / mm)

**A-RGBW-4HC5-24-270-□-QG☆SC2/4**  
**A-2765-4HC5-24-270-□-QG☆SC2/4**

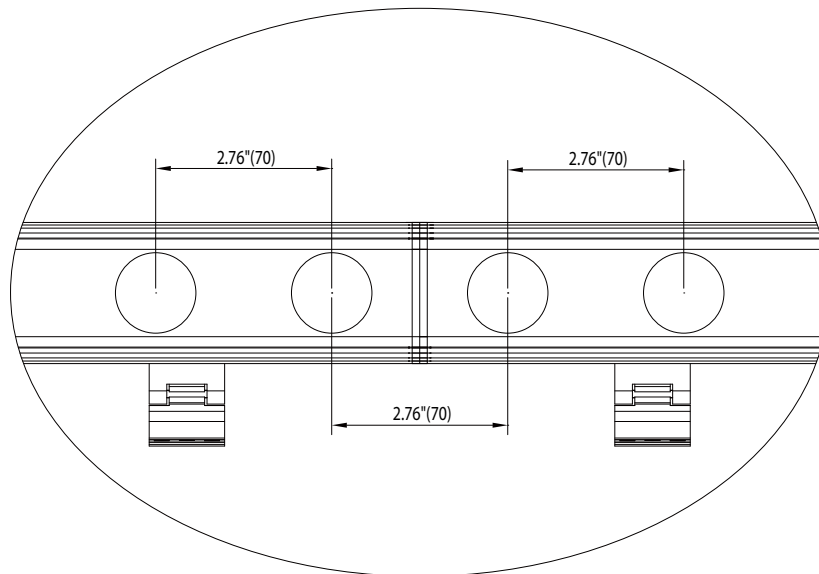
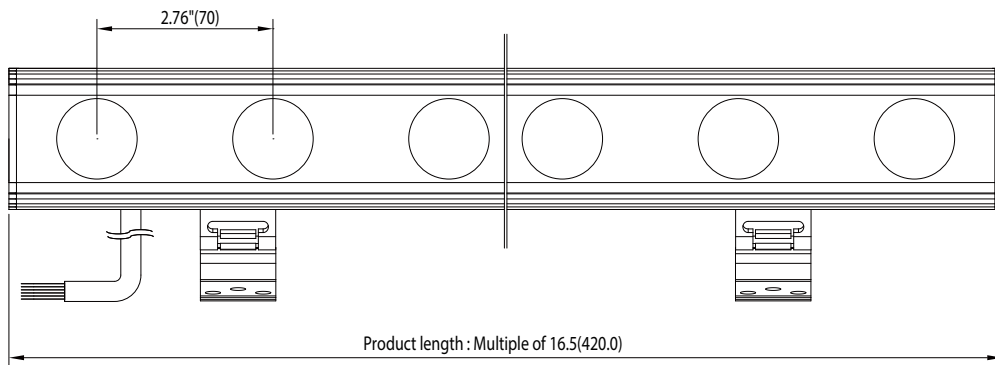
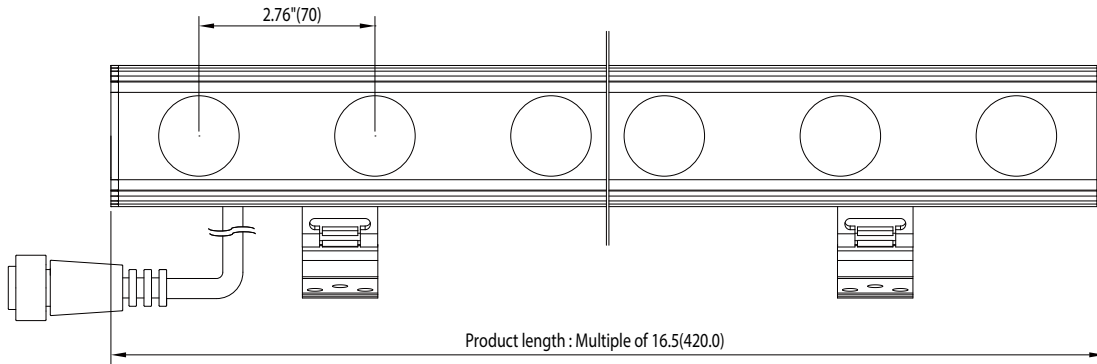


\* Data is subject to change without notice for improvement

# DIMENSION

(inch / mm)

**A-RGBW-4HC7-24-420-□-QG☆SC2/4**



\* Data is subject to change without notice for improvement